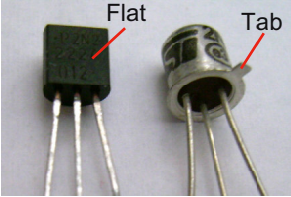
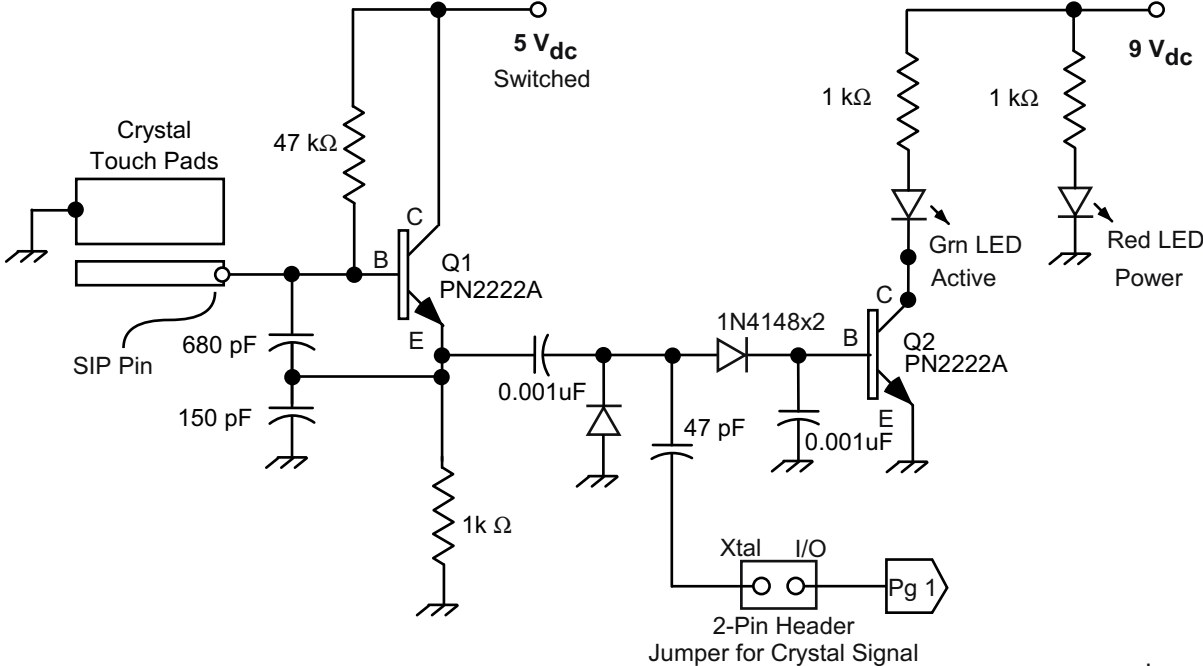


FDIM 2017 Crystal Checker Pg3

By: W5USJ 15 June 2017



E B C C B E