

Tool Code	Hole Size	Sym bol	Hole Count

BILL OF MATERIALS:

REEL PARTS

Resistors 1/4w 5%
 56 ohm
 100 ohm
 220 ohm
 1K ohm
 4.7K ohm
 8.2K ohm
 47K ohm

Capacitors: 50v or better NPO AXIAL
 100pf
 220pf

Capacitors: 50v or better X7R AXIAL
 150pf
 220pf
 330pf QTY=2
 680pf
 .01uf QTY=2
 .1uf QTY=4

Capacitor: 25v or better electrolytic AXIAL
 22uf

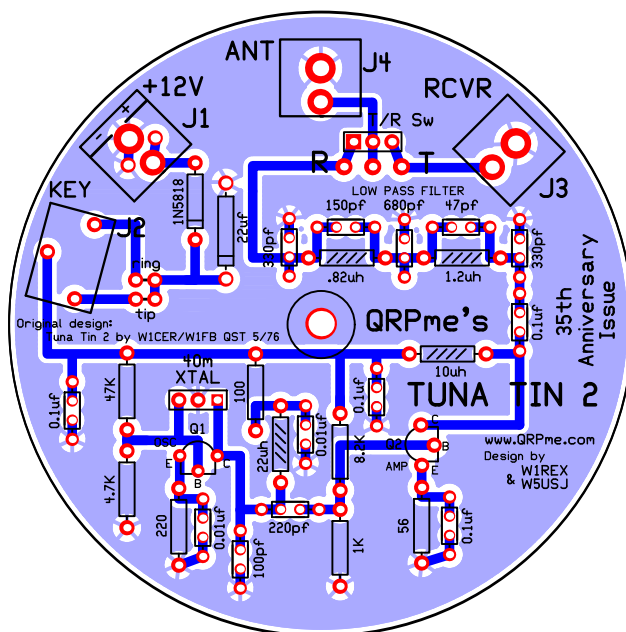
Inductors: Faston 22 series or equivalent:
 .82 uh
 1.2uh
 10uh
 22uh

Diode:
 1N5818

Miscellaneous parts:

PN2222A QTY=2
 7.030 Mhz Quartz Crystal

Connectors:
 RCA rt. angle yellow single QTY=3
 Stereo Headphone Jack
 3x.1" SIP socket
 SPDT .1" spacing Switch



Board type: FR4
 Board thickness: .062"
 Copper weight: 1oz
 All dimensions are in inches.
 Layer count: 2

Board should have blue solder mask over bare copper (SMOBC) with white silk screening on top.

View is from the top side of the board.

Co:	QRPme		
Title:	Tuna Tin 2		
Board:	QRPme version	Revision:	A
Drawn:	WIREX	Size:	A
Date:	03/27/2011	Sheet	1 of 1