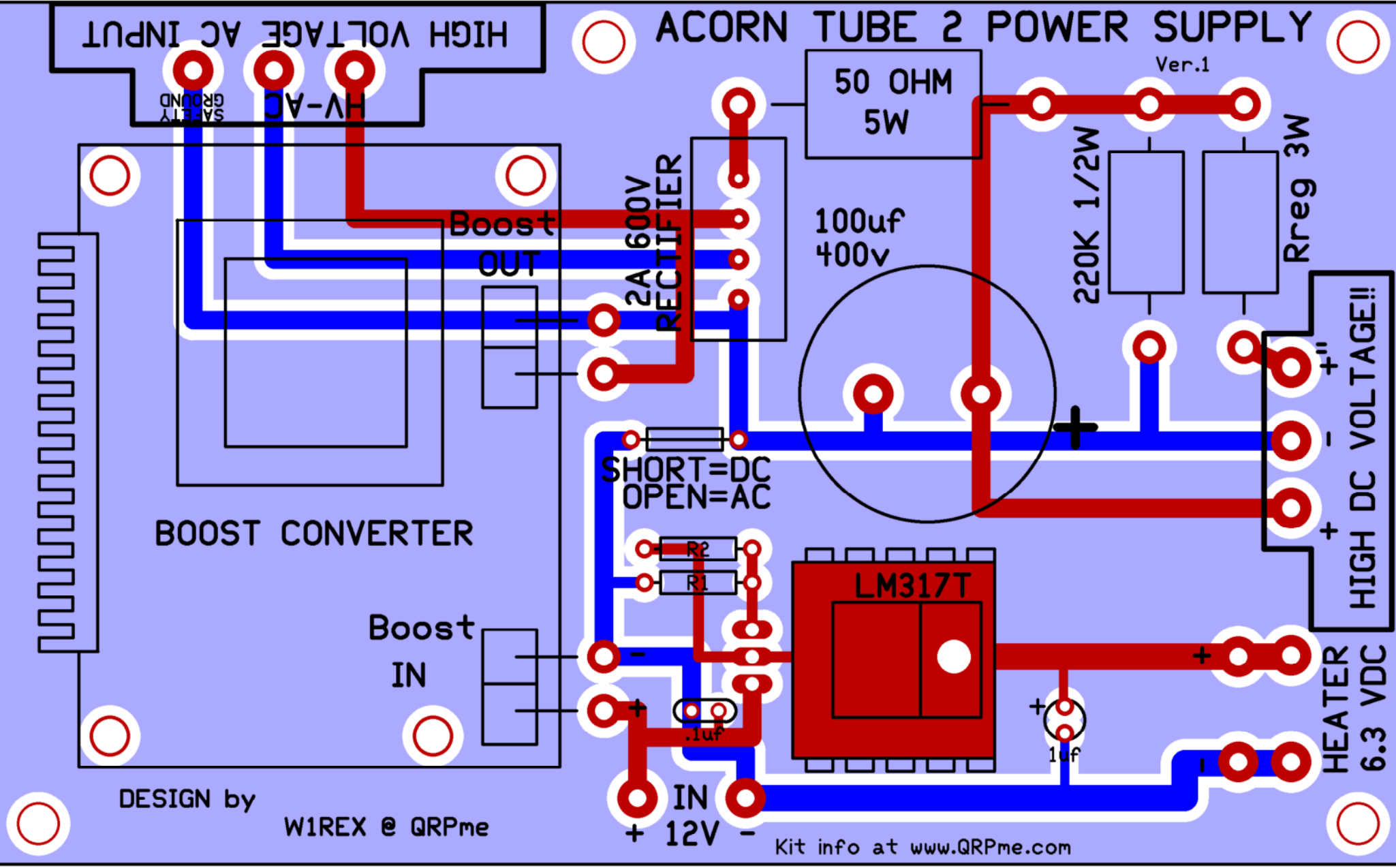


ACORN TUBE 2 POWER SUPPLY

Ver.1



HIGH VOLTAGE AC INPUT

SAFETY GROUND

HV-AC

Boost OUT

2A 600V RECTIFIER

50 OHM 5W

100uf 400v

220K 1/2W

Rreg 3W

SHORT=DC
OPEN=AC

R2

R1

LM317T

.1uf

1uf

BOOST CONVERTER

Boost IN

DESIGN by

W1REX @ QRPme

IN 12V

Kit info at www.QRPme.com

HIGH DC VOLTAGE!!

HEATER 6.3 VDC