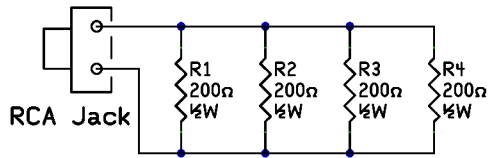
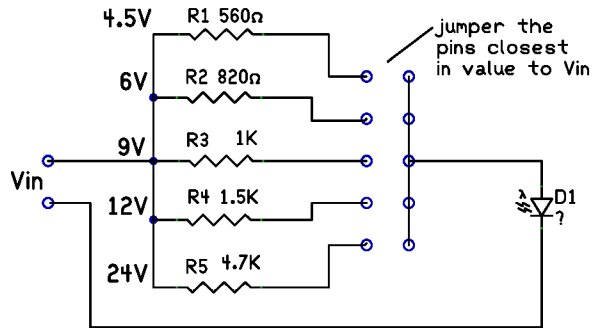


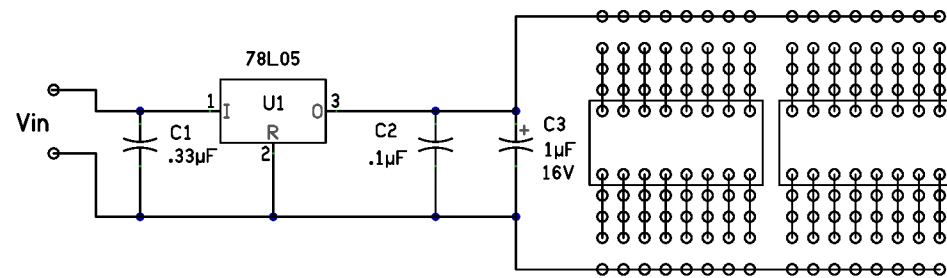
MATCH-less Dummy Load



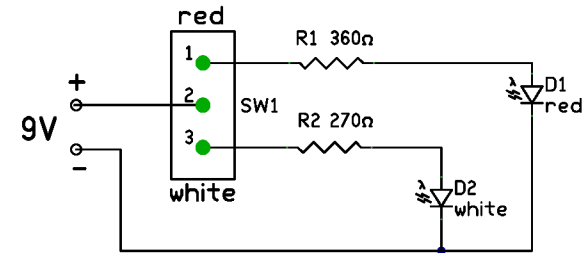
MATCH-less Power On LED



MATCH-less IC Proto Board

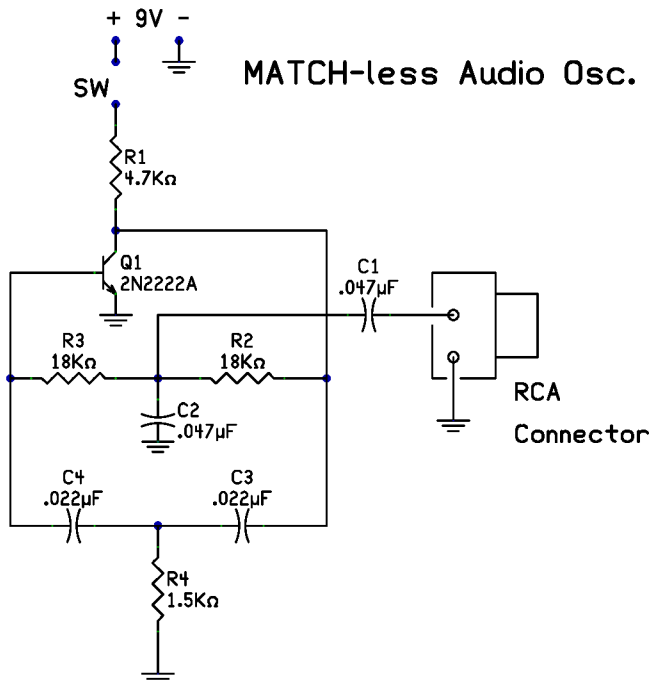


MATCH-less Operator LEDs



Use small pcb option jumper to select LED to light..

MATCH-less Audio Osc.



Co:	QRPme		
Title:	MATCH-less Kit Schematics		
Board:	MATCH-less Boards	Revision:	A
Author:	W1REX	Size:	A
Date:	6/25/2010	Sheet	1 of 1