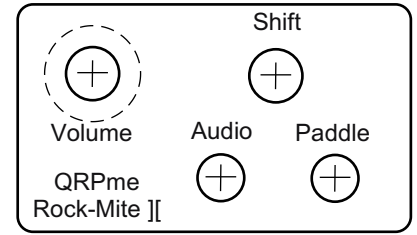
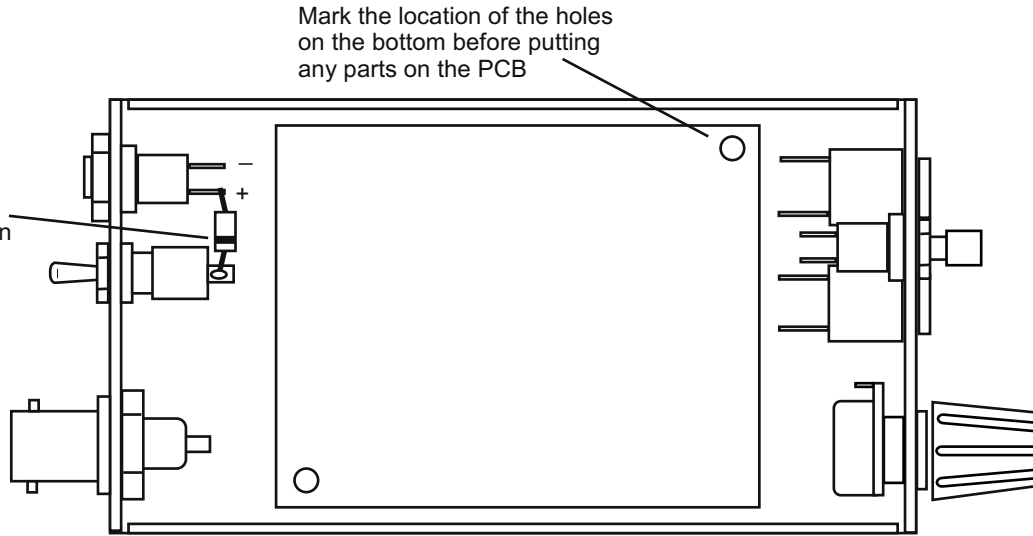


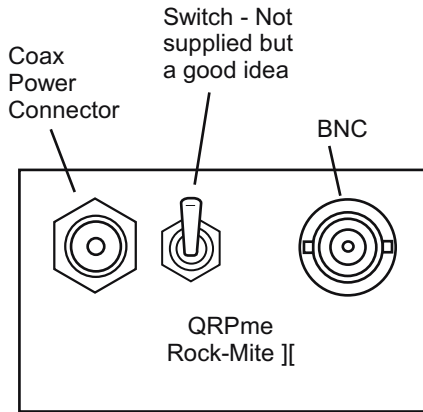
Back Panel Label



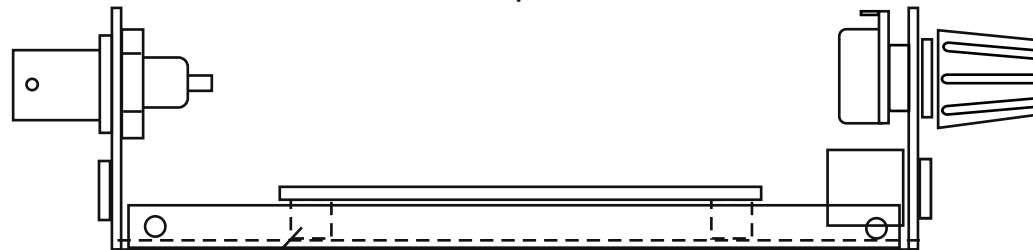
Front Panel Label



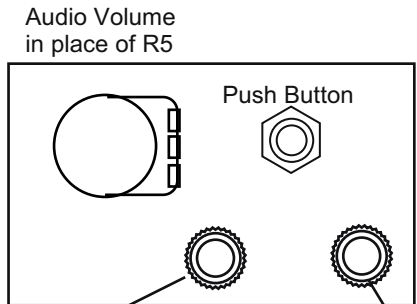
Top



Back



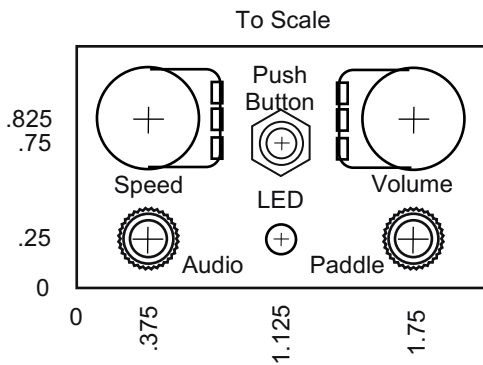
Side



Headphone

Front

Paddle

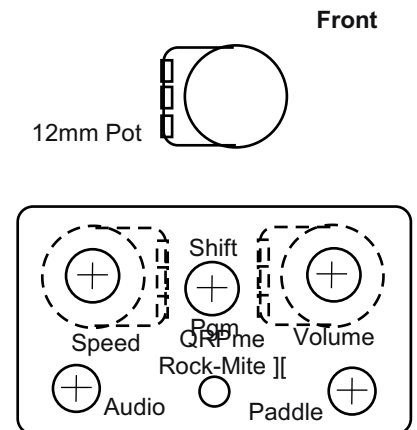


To Scale

Layout Suggestion Sketch Rock Mite in LMB CR-425 Enclosure

Scale: Approximate W5USJ Drawing 4 Jan 2014

Ensure that there are no interferences between components and between components and the sides of the enclosure. If exact drill sizes are not available use the next smaller size and then use a tapered reamer to carefully ream to size.



Front

12mm Pot