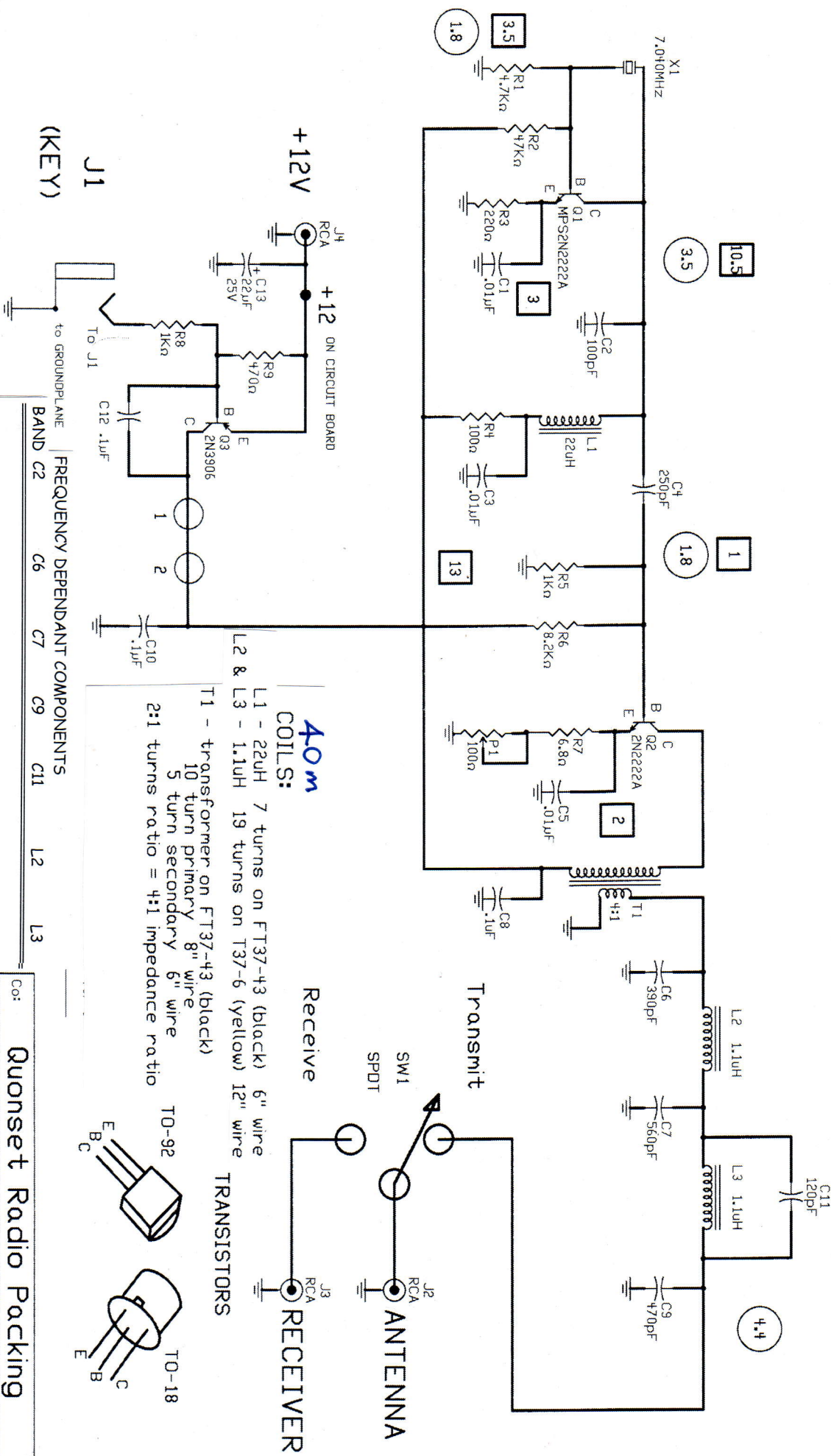


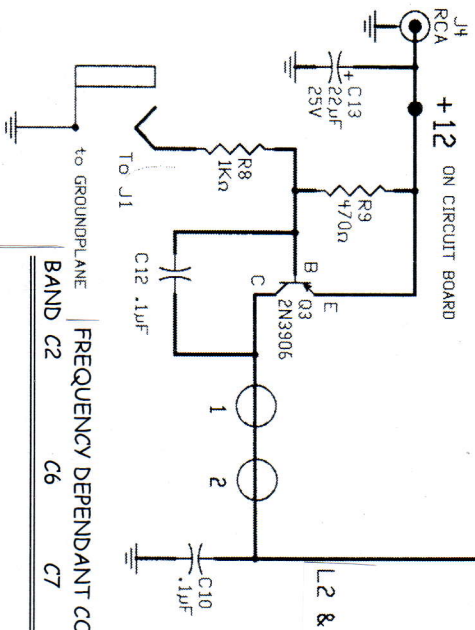
Tuna Tin 2 Transmitter Designed by Doug DeMaw, W1FB Updated as Two Tinned Tunas Kit by Rex Harper, W1REX



40W
COILS:

- L1 - 22uH 7 turns on FT37-43 (black) 6" wire
- L2 & L3 - 1.1uH 19 turns on T37-6 (yellow) 12" wire
- T1 - transformer on FT37-43 (black)
10 turn primary 8" wire
5 turn secondary 6" wire
2:1 turns ratio = 4:1 impedance ratio
- T2 - transformer on FT37-43 (black)
10 turn primary 8" wire
5 turn secondary 6" wire
2:1 turns ratio = 4:1 impedance ratio

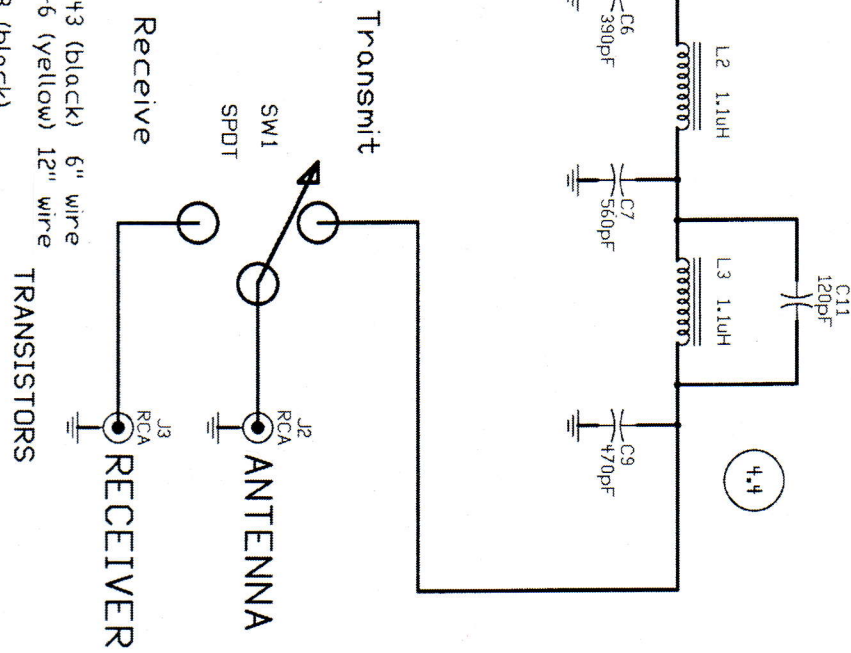
J1
(KEY)



FREQUENCY DEPENDANT COMPONENTS

BAND	C2	C6	C7	C9	C11	L2	L3
80	220	680	1800	820	250	23+2	26+2
40	100	390	560	470	120	19+6	19+6
30	68	220	470	220	75	20+6	17+6
20	47	180	470	220	47	13+2	13+6

Cap values are in pf Coil values in turns on T37-X toroid



Co: **Quonset Radio Packing**

Title: **Two Tinned Tunas Kit**

Board: **TTT-QRPme**

Author: **W1REX Rex Harper**

Date: **10/20/2006**

Revision: **A**

Size: **A**

